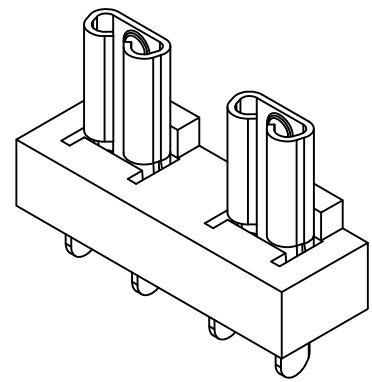
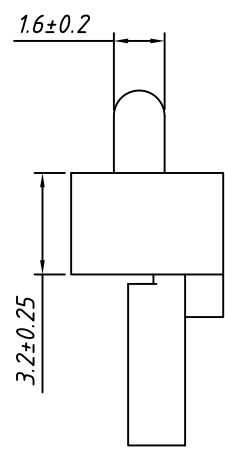
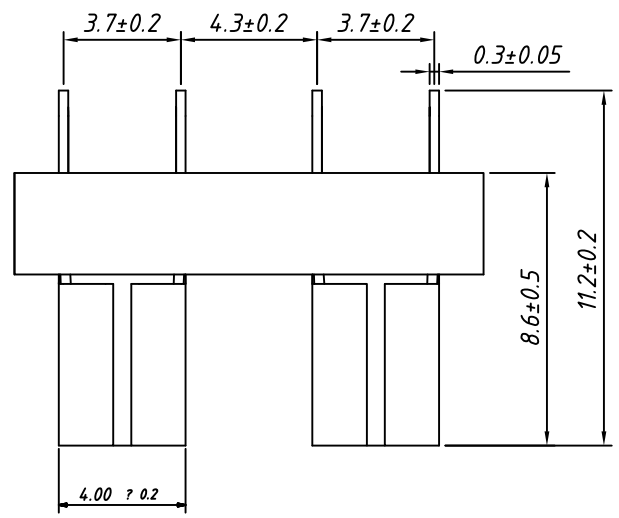


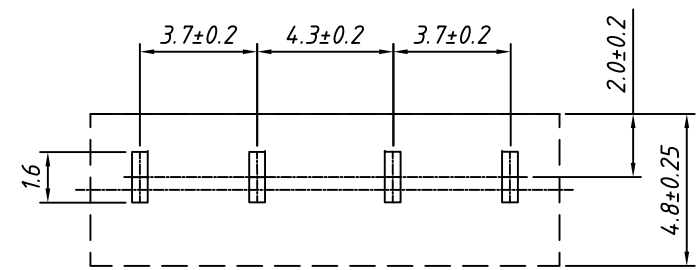
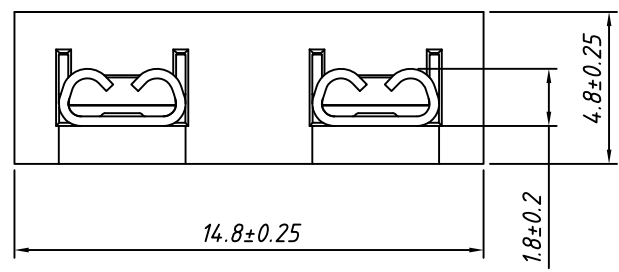
1 2 3 4 5 6 7 8

A
B
C
D
E
F
G
H



Characteristics:
 Voltage Rating: 250V
 Current Rating: 15A
 Insulation Resistance: 100MΩ Min. at 500VDC
 Dielectric Strength: AC 500 V Min. at 60s

Material: Brass, T=0.3mm, Tin Plated
 Fuse type: Miniature Blade Fuse
 KLS5-269-xxx



Recommend Mounting Hole

GENERAL TOLERANCE	PROJECTION		Description:
.X ±1.00	UNITS	mm	32V Miniature Blade Fuse Clip, 2.8x0.6mm
.X ±0.50	SCALE	4:1	
.XX ±0.30	Draw by:	Daniel	KLS P/N: L-KLS5-720B-2P
ANGLE TOLERANCE	Check by:	Daniel	NingBo KLS ELECTRONIC CO.,L TD.
±5°	Date	2022-09-01	
	SHEET	1 OF 1	

1 2 3 4 5 6 7 8